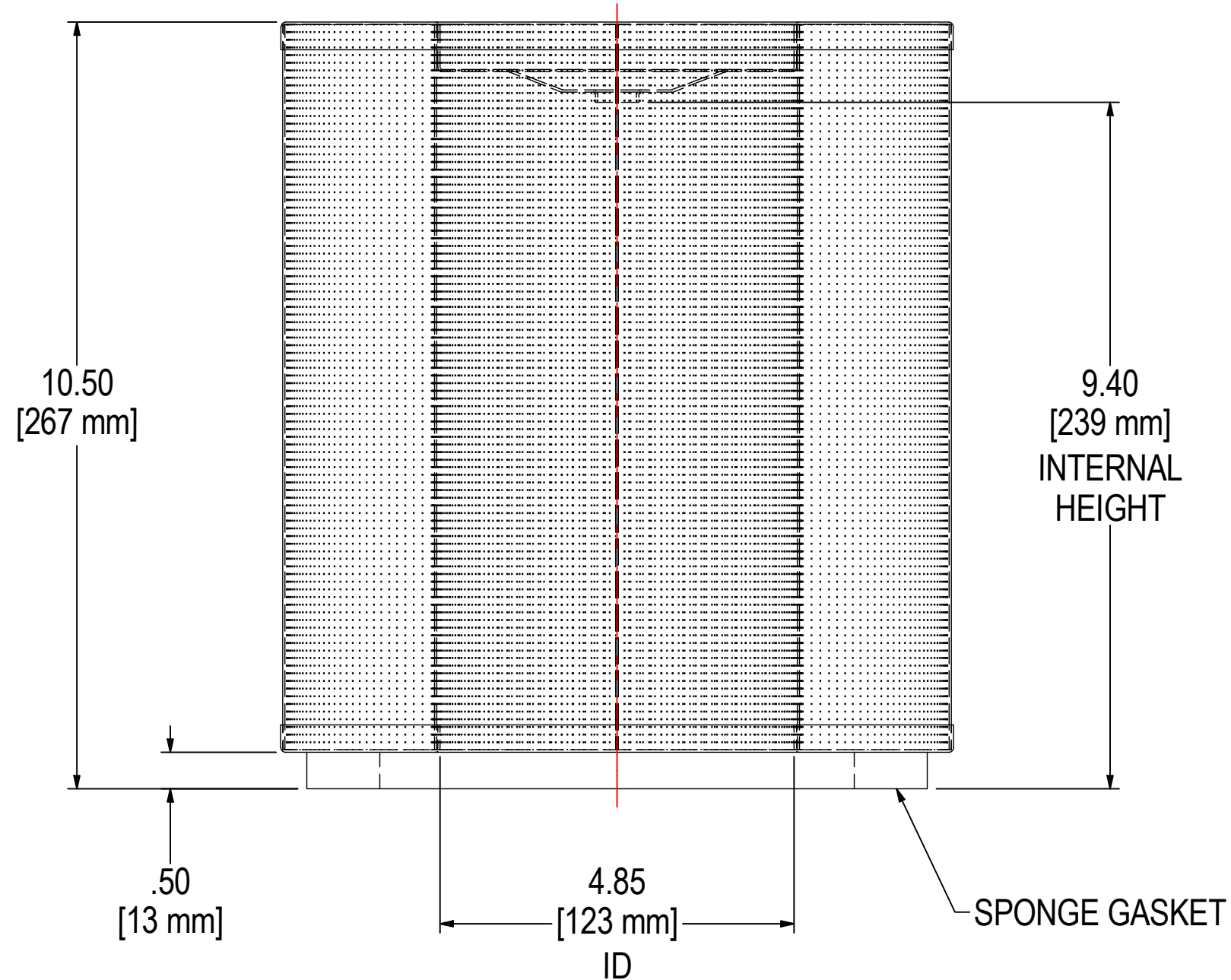
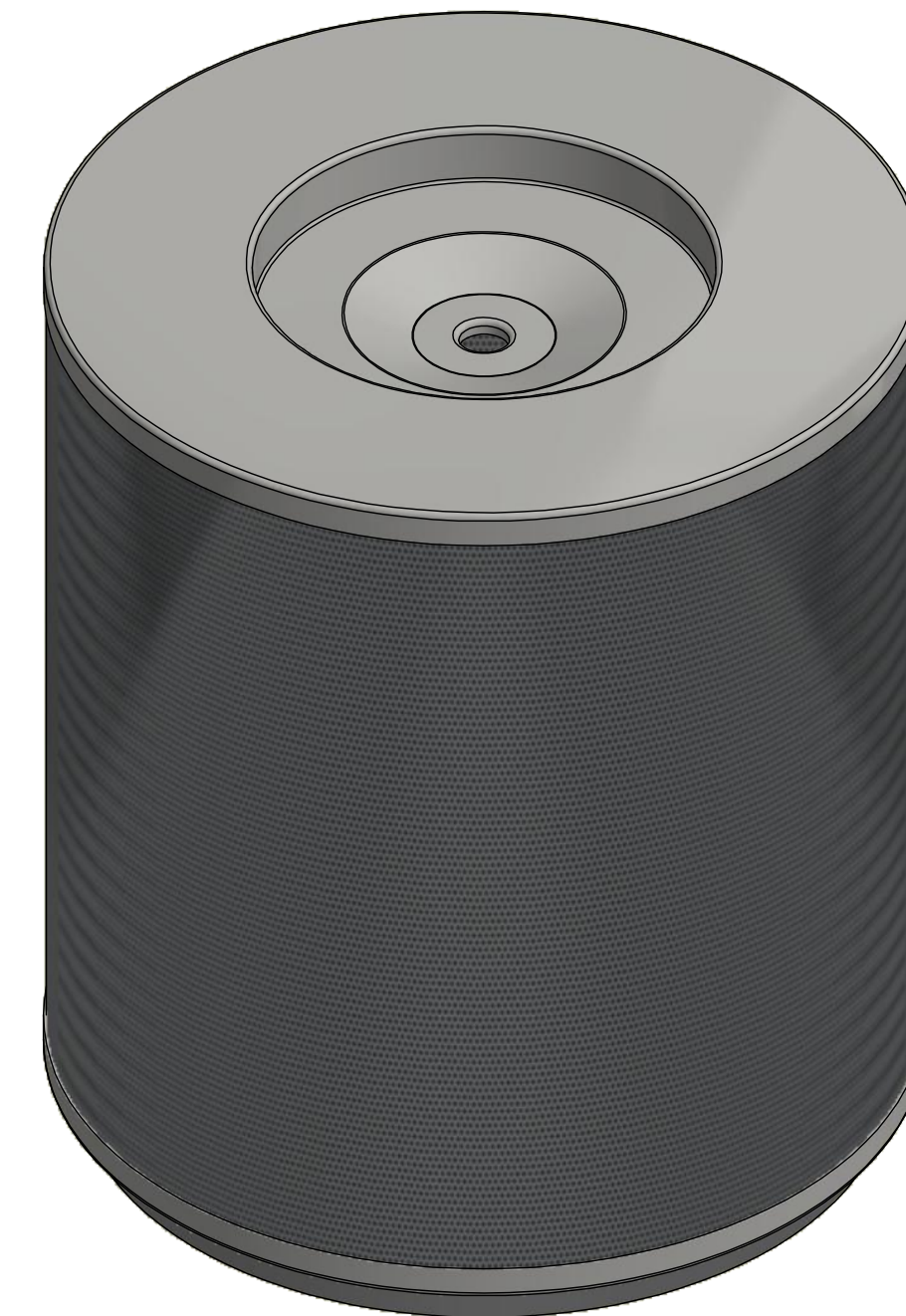
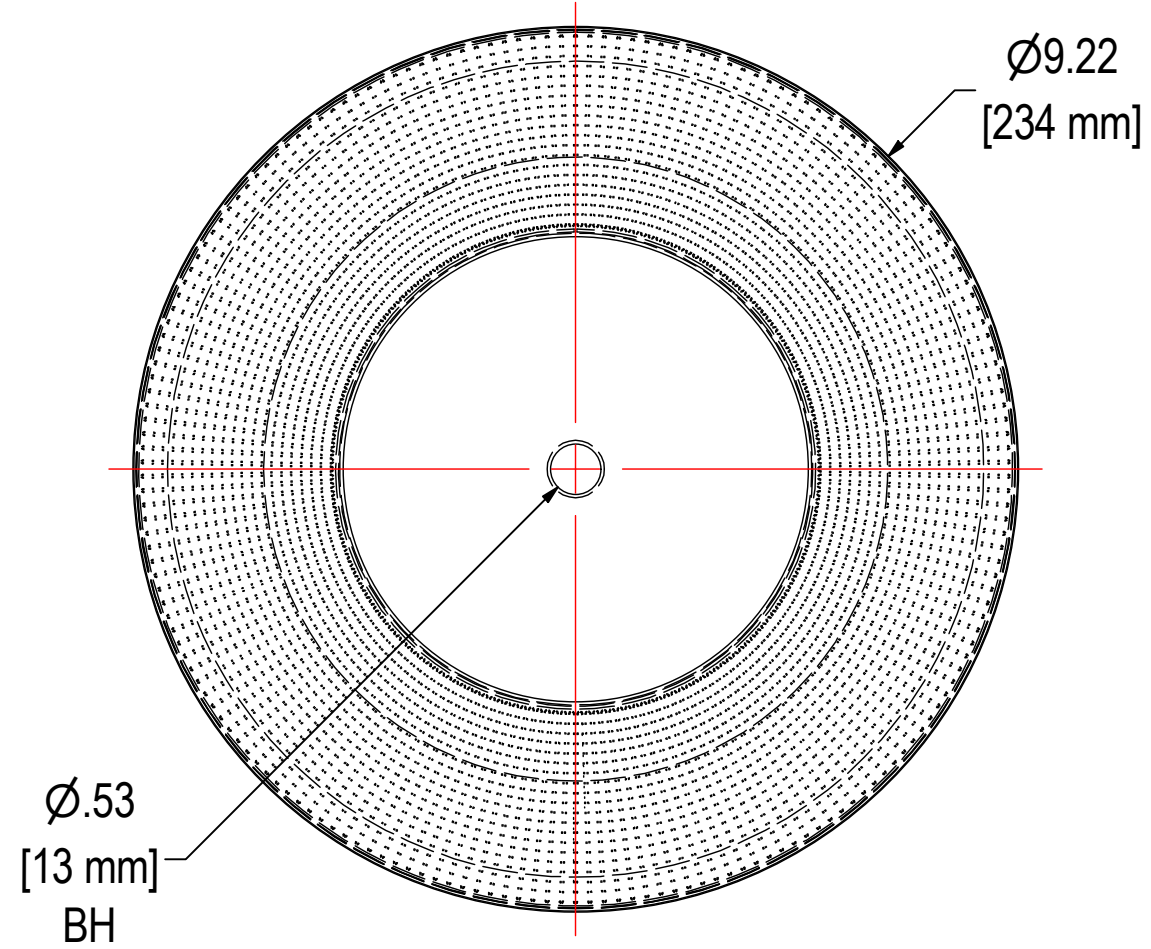


REV	DESCRIPTION	ECN #	CHG BY	DATE	APP'D
A	CONVERTED TO 3D	17839	TAS	12/05/19	NAD



ELEMENT SPECS		
PART NUMBER	238	
MATERIAL	PAPER	
FLOW RATE	570 CFM	968 m ³ /hr
SURFACE AREA	48.3 ft ²	4.5 m ²
I.D.	4.85"	123mm
O.D.	9.22"	234mm
HEIGHT	10.50"	267mm